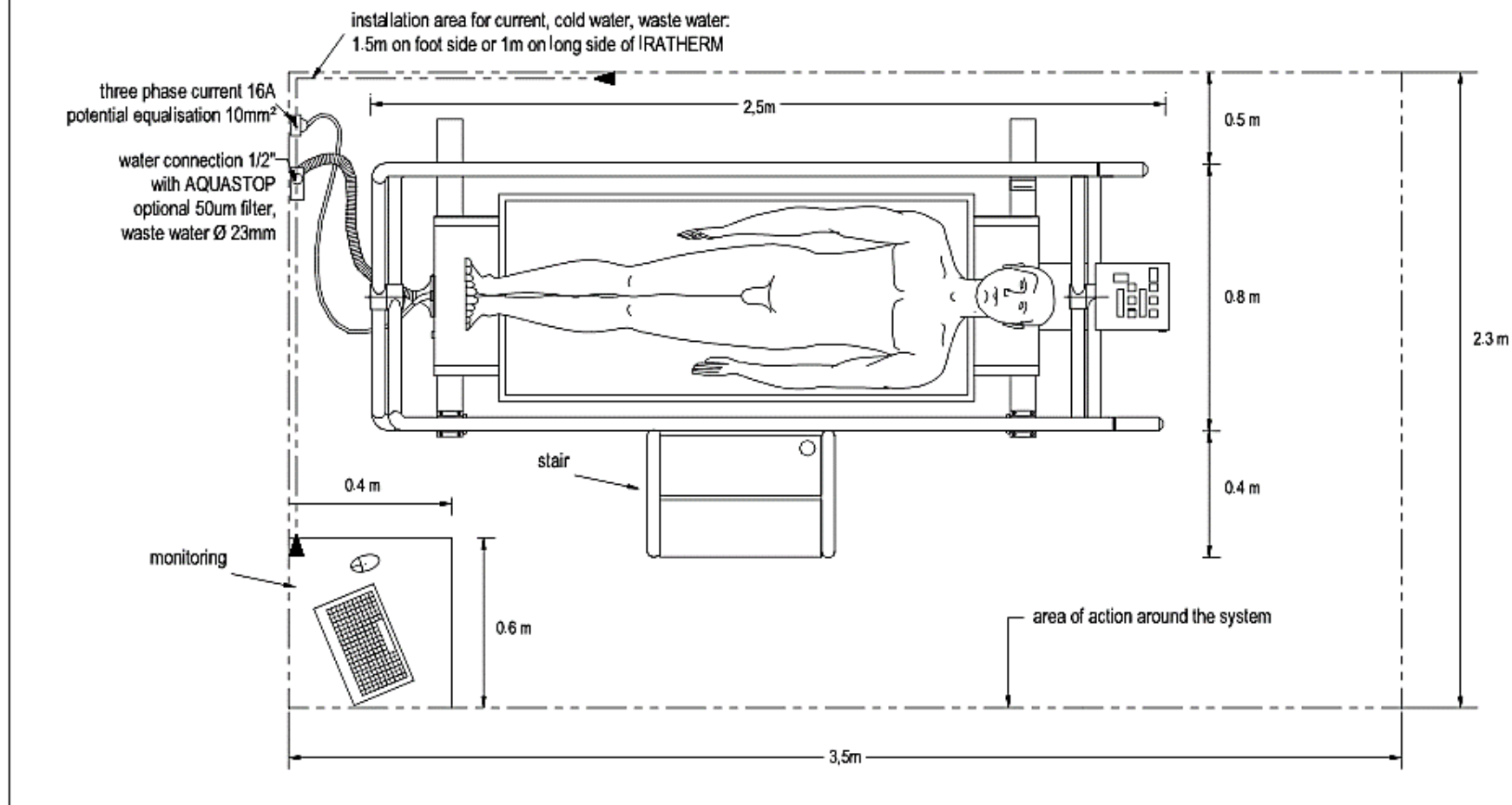


Required Space for Installation of IRATHERM®1000

in consideration of controlling the system, attendance of patients and monitoring



Producer:



Von Ardenne Institut für
Angewandte Medizinische Forschung
GmbH

Zeppelinstr. 7 • 01324 Dresden
☎ +49 351 2637 400
☎ +49 351 2637 444
www.med.ardenne.de

Distributor for East- and Central Europe:



HT Systems Sp. z o.o.
ul. Belgradzka 5
03-793 Warszawa, POLAND
☎ +48 22 300 91 85
☎ +48 22 644 50 77
www.htsystems.com.pl